

EGRO NEXT Top Milk with NEXT Fridge

High Volume Super Automatic Espresso Machine

ESPRESSO MACHINE SPECIFICATIONS:

The NEXT is controlled by a 10.1" HD Android™ smart tablet user interface with a flexible and customizable operating system. Two self-adjusting grinders that make precise adjustments to the grind setting for consistent taste and volume in each cup, on each machine, and at each location. The NEXT is made of stainless steel and ABS plastic and features an easy 3-step automatic daily cleaning program.

STANDARD FEATURES:

- Super automatic with an app-controlled user interface
- Self-adjusting grinders that automatically adjust the coffee grind size to compensate for environmental changes
- Single milk pump system
- Top Milk fridge (NEXT) 6.5 liter (1.7 gallons) countertop fridge fits perfectly on the left side of the machine
- Set different milk temperatures and textures for each drink
- Americano bypass enables machine to deliver authentic Americanos into a single cup
- Dual grinders by Ditting™
- 2-year parts warranty

ACCESSORIES IN THE BOX:

- Plastic grounds bin container
- One-month supply of daily cleaning products
- Milk container
- Container for daily cleaning
- User manual
- Foot extensions

SPACE REQUIREMENTS:

- Allow 1.5" clearance on all sides of the machine.
- Allow space to fill bean hoppers from the top 4" minimum 12" preferred
- Allow 24" x 5" for in-line filter. Filter can be mounted behind the machine or under the counter.



OPTIONS:

iSteam:

Intelligent steam wand automatically froths and steams milk; shuts off at programmed temperature

Automatic Spout+: Automatically adjusts the dispensing spout to the correct cup size

Under Counter Grounds Chute: Chute that diverts ground coffee to under the counter waste container (not available when an under the counter fridge is installed directly under the machine)

External Hot Water Outlet: Hot water delivered through a separate outlet to the right of the drink spout

Multi-Milk: Add to any fridge configuration to deliver two types of milk

Cold Foam Milk: Delivers amazingly stable cold foam for unique drinks (not available with any configuration that includes multi-milk or any under the counter configurations).

Self-Service Package: Includes locks for hopper, grounds drawer, and fridge, as well as cup stopper pins for the drink tray

Powder Module: Enables machine to deliver up to two types of powder, such as chocolate for mocha and hot chocolate

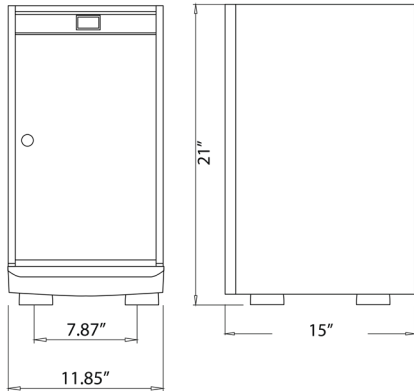
Cool Coffee Module: Rapidly cools coffee after brewing for best quality iced beverages (not available when the powder module is installed on the machine)

BC22: High-capacity 22 gram brew chamber allows for extra-large coffee drinks to be prepared in a single brew cycle

EGRO NEXT Top Milk with NEXT Fridge

High Volume Super Automatic Espresso Machine

NEXT FRIDGE



NEXT FRIDGE with optional MULTI-MILK



REFRIGERATOR SPECIFICATIONS:

The NEXT fridge adds 1.7-gallon milk storage capacity that pumps milk into the machine at the touch of a button. It fits perfectly beside the NEXT machine or can be placed under the counter to save counter space. A milk container is included with the NEXT Fridge, milk may be poured into this container for maximum benefits. This contains a sensor to allow the machine to automatically determine milk levels. Alternatively, a standard 1-gallon milk container may be used if milk sensing is not needed.

COUNTER REQUIREMENTS:

Width	Depth	Height	Weight
ESPRESSO MACHINE with NEXT FRIDGE			
24"	23"	31"	190 lbs
with optional POWDER MODULE			
30"	23"	31"	218 lbs

SHIPPING DIMENSIONS AND WEIGHT:

Length	Width	Height	Weight
ESPRESSO MACHINE with NEXT FRIDGE			
36"	36"	33"	235 lbs
with optional POWDER MODULE			
48"	40"	32"	300 lbs

NEXT FRIDGE

Voltage Range: **110-120 VAC Single Phase**
 Watts: **200 W**
 Circuit Size: **15 amps**
 Suggested Receptacle: **5-15R GFI**

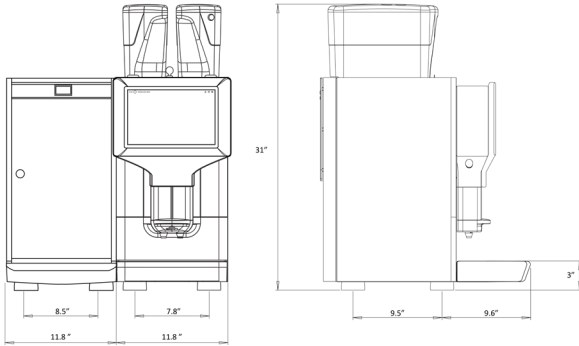
optional POWDER MODULE

Voltage Range: **110-120 VAC Single Phase**
 Watts: **200 W**
 Circuit Size: **15 amps**
 Suggested Receptacle: **5-15R GFI**

PLEASE NOTE: Egro coffee machines do not use a neutral line. A dedicated ground wire is required for proper performance.

EGRO NEXT Top Milk with NEXT Fridge

High Volume Super Automatic Espresso Machine



PLEASE NOTE: Power can be installed under or above counter. Please allow 3-4" of space for the plug, especially when placing power above the counter and behind the machine.

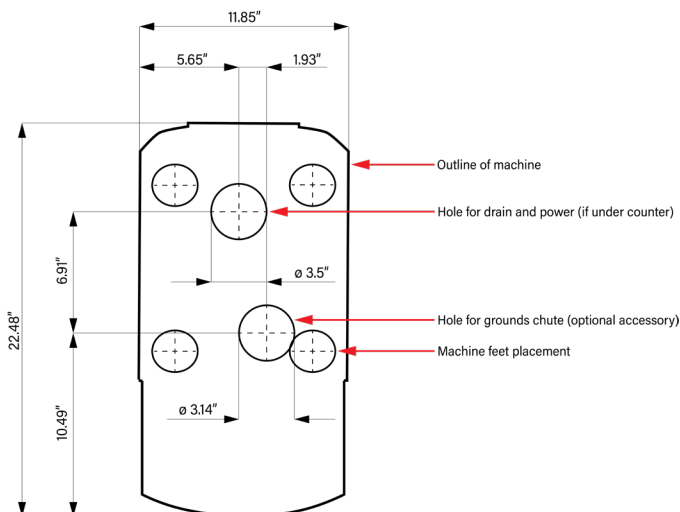
COUNTER REQUIREMENTS:

Width	Depth	Height	Weight
ESPRESSO MACHINE			
12"	23"	31"	126 lbs

SHIPPING DIMENSIONS AND WEIGHT:

Length	Width	Height	Weight
ESPRESSO MACHINE			
36"	36"	33"	155 lbs

DRILLING PLAN



SERVICE CONNECTIONS:

Electrical Connections

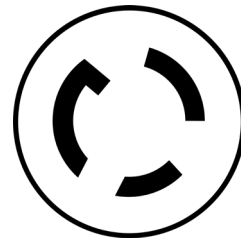
ESPRESSO MACHINE

Voltage Range: 208-240 VAC Single Phase

Watts: 6000 W

Circuit Size: 30 amps

Suggested Receptacle: NEMA L6-30R



PLEASE NOTE: Egro coffee machines do not use a neutral line. A dedicated ground wire is required for proper performance.

WATER CONNECTIONS:

Dedicated cold water access line with standard female 3/8" NPT fitting and manual shut-off valve within 4' of the machine required.

DRAIN REQUIREMENTS:

Open gravity drain rain with minimum 2" I.D. within 4' of the machine.

WATER QUALITY STATEMENT:

The fact that water is potable is no guarantee that it is suitable for coffee machines. Your water supply must be within these general guidelines:

SUPPLY PRESSURE: 30-70 psi

HARDNESS: 2-3 GPG (1 grain of hardness = 17.1 ppm)

Water entering the machine should have a water hardness level of 2-3 GPG at all times. If the water supply is not within this range, a dedicated water softener (if above 3 GPG) or mineral addition cartridge (if below 2 GPG) is required for the coffee machine to operate properly over time (see Rancilio Group North America Water Quality Statement for further details).

